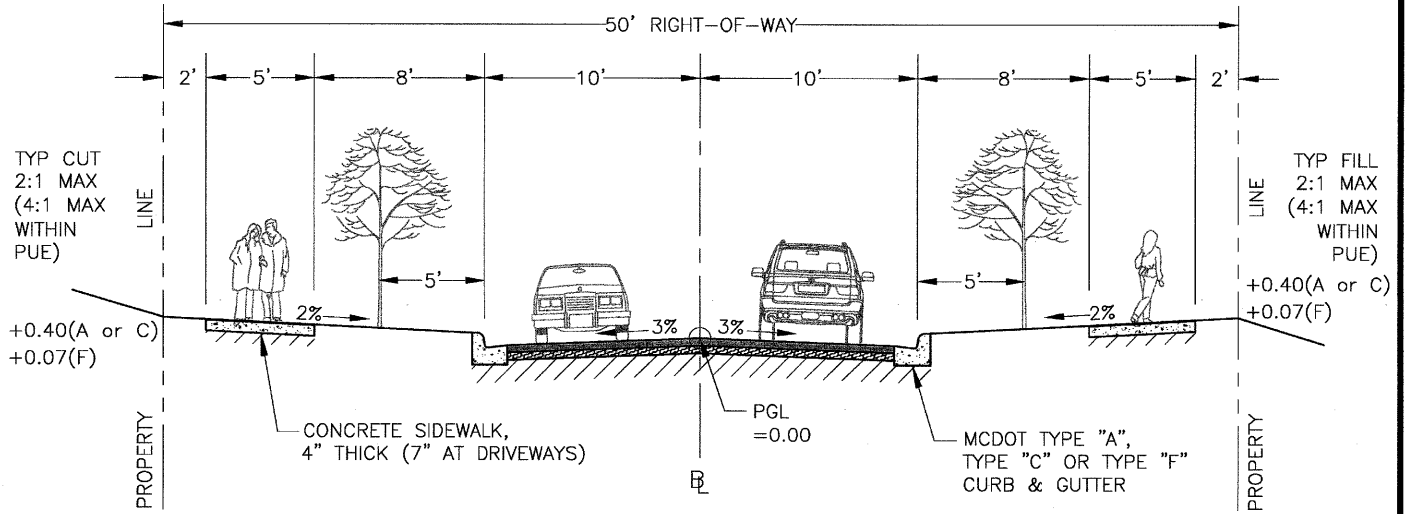


# Typical Section (NOT TO SCALE)



## Paving Detail

	3" BITUMINOUS CONCRETE SURFACE (TWO EQUAL LAYERS)
	3" BITUMINOUS CONCRETE BASE
	APPROVED SUBGRADE

## Design Data

GEOMETRIC DESIGN SHALL CONFORM TO MOST RECENT AASHTO "GREEN BOOK" METHODS.

TARGET SPEED (MPH)	SUPERELEVATION	MAX GRADE
N/A (25 MPH SIGHT DIST.)	NONE (-3% MAX)	12%

MIN ALLOWABLE  $\Delta$  RADIUS = 100'

## General Notes

- LATEST EDITION OF THE MARYLAND STATE HIGHWAY ADMINISTRATION SPECIFICATIONS SHALL APPLY FOR MATERIALS AND METHODS OF CONSTRUCTION.
- PUBLIC UTILITY EASEMENTS (PUEs) ARE SUBJECT TO "DECLARATIONS OF TERMS AND PROVISIONS OF PUBLIC UTILITY EASEMENTS" RECORDED AS LIBER 3834, FOLIO 457 IN THE LAND RECORDS OF MONTGOMERY COUNTY.
- STANDARD ELEVATION AT PROPERTY LINE, RELATIVE TO PGL, SHALL NOT VARY AT DRIVEWAYS.
- PAVING DETAIL DEPICTS THE MINIMUM REQUIRED SECTION. IF SUFFICIENT SUBGRADE SUPPORT IS NOT ASSURED, AN ENGINEERED PAVING DESIGN USING SHA METHODOLOGY WILL BE REQUIRED.
- NOTE THAT WITHIN A GIVEN CONTEXT, THIS STANDARD MAY NEED TO BE MODIFIED TO PROVIDE ADDITIONAL REQUIRED FEATURES SUCH AS MASTER PLANNED BIKEWAYS, AUXILIARY LANES AT INTERSECTIONS, OR STORMWATER MANAGEMENT FACILITIES. ADDITIONAL RIGHT-OF-WAY MAY BE NECESSARY TO ACCOMMODATE SUCH FEATURES.
- ALL UNPAVED AREAS WITHIN THE LIMITS OF DISTURBANCE SHALL BE STABILIZED WITH ESTABLISHED GRASS TURF OR APPROVED LANDSCAPING.
- STREET TREES OF APPROVED TYPE, SIZE AND SPACING SHALL BE PLANTED AT LOCATIONS SHOWN.

STANDARD DEVELOPED AND IMPLEMENTED IN CONFORMANCE WITH COUNCIL RESOLUTION 16-809 ADOPTED DEC. 9, 2008

DIRECTOR, DEPARTMENT OF TRANSPORTATION  
  
 CHIEF, DIVISION OF TRANSPORTATION ENGINEERING

25 JUN 12  
 DATE  
 6/21/2012  
 DATE

MONTGOMERY COUNTY  
 DEPARTMENT OF TRANSPORTATION

TERTIARY RESIDENTIAL STREET  
 SIDEWALK ON BOTH SIDES

STANDARD NO. MC-2001.02