

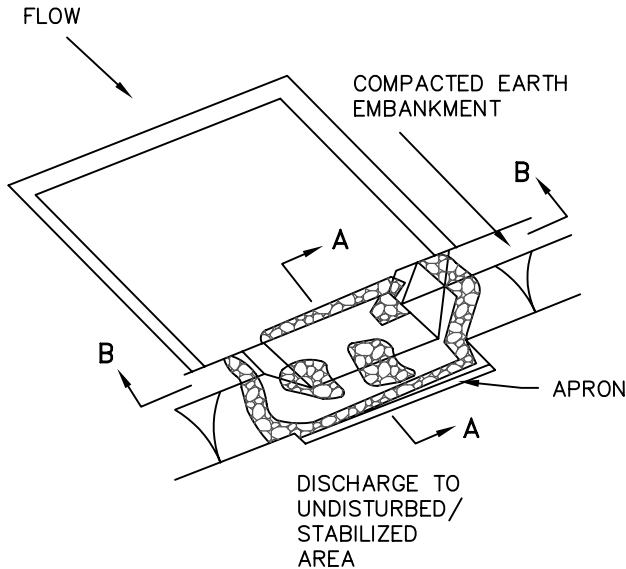


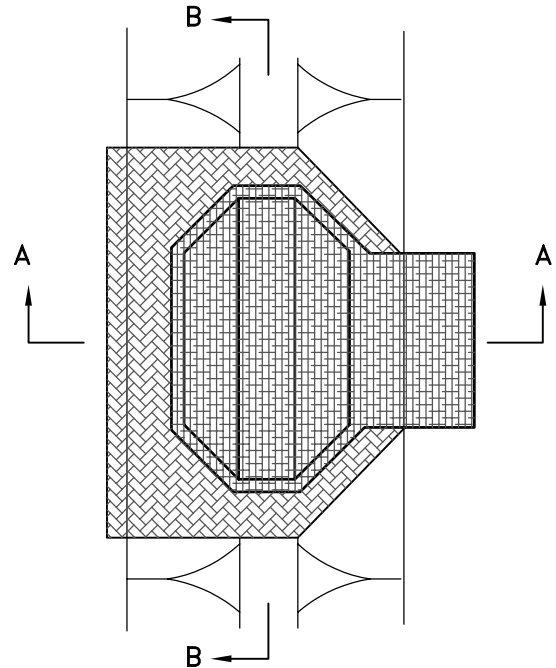
NOTE: WEIR LENGTH TO BE IN ACCORDANCE WITH TABLE 8 PAGE C-9-12 OF "STANDARDS AND SPECIFICATIONS."

**SECTION B-B**

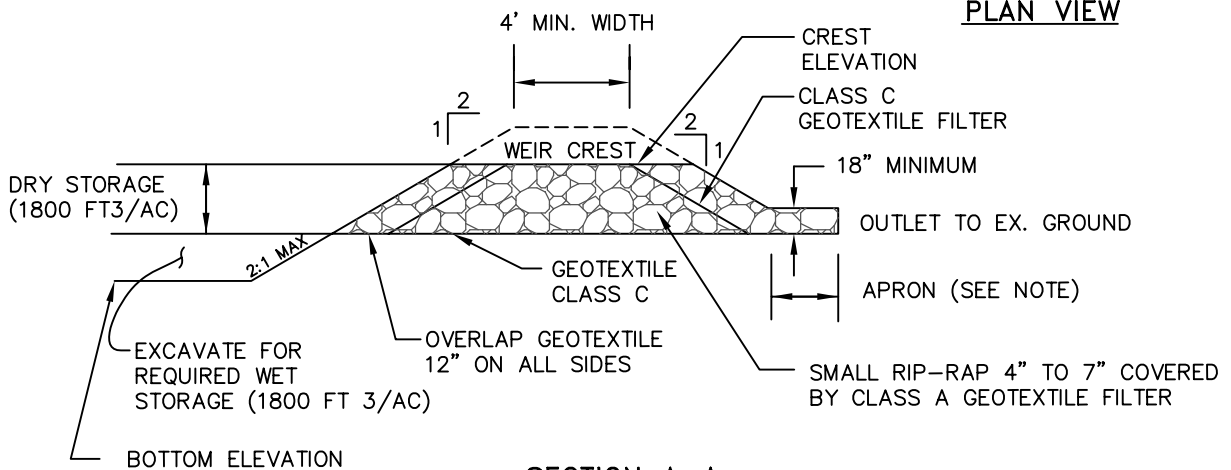
-  SUBGRADE GEOTEXTILE (CLASS C)
-  GEOTEXTILE FILTER (CLASS C)



**PERSPECTIVE VIEW**



**PLAN VIEW**



**SECTION A-A**

NOTE: 5' MIN. APRON LENGTH UP TO 5 ACRES. OVER 5 ACRES USE 10' MIN.

NOTE: FOR USE WHERE A PIPE DEWATERING DEVICE IS NOT FEASIBLE.



MONTGOMERY COUNTY  
DEPARTMENT OF PERMITTING  
SERVICES  
WATER RESOURCES

MODIFIED  
DEWATERING OUTLET  
FOR RIP-RAP OUTLET  
SEDIMENT TRAP

DATE: 7/03

SCALE: NONE