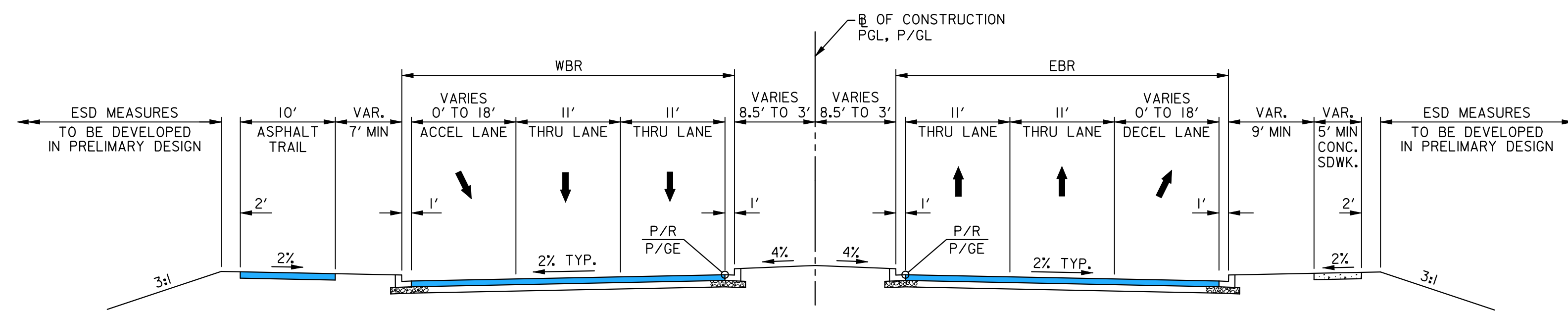
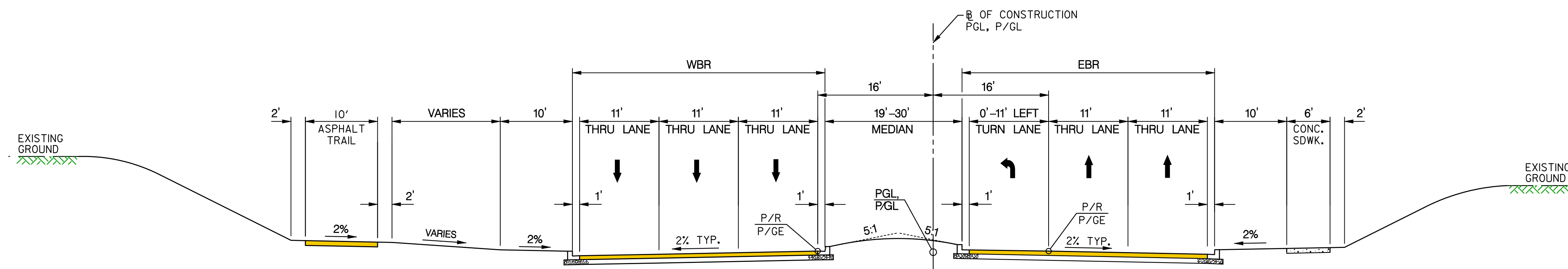


MONTROSE PARKWAY EAST (90% DESIGN STAGE)
EAST OF PARKLAWN DRIVE



MONTROSE PARKWAY (MD 355 PHASE 2)
WEST OF MAPLE / CHAPMAN AVE TO EAST OF PARKLAWN DRIVE



MONTROSE PARKWAY (RELOCATED RANDOLPH ROAD) - CONSTRUCTED
WEST OF MAPLE / CHAPMAN AVE