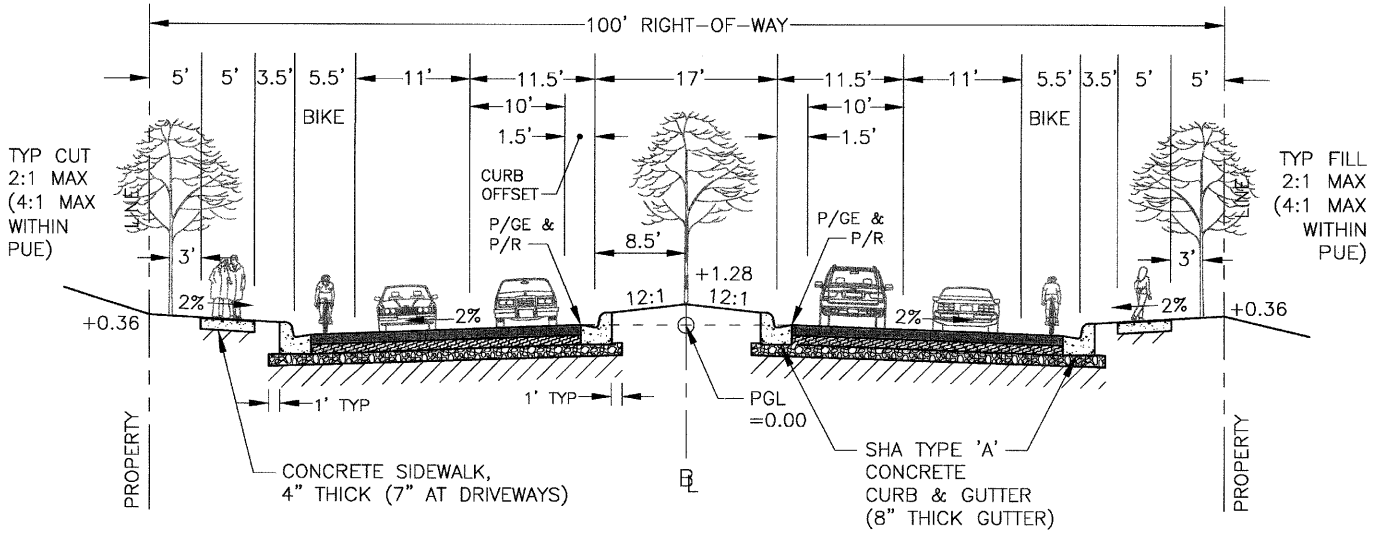


Typical Section (NOT TO SCALE)



Paving Detail

	3" BITUMINOUS CONCRETE SURFACE (TWO EQUAL LAYERS)
	5" BITUMINOUS CONCRETE BASE
	8" GRADED AGGREGATE BASE (TWO EQUAL LAYERS)
	APPROVED SUBGRADE

Design Data

GEOMETRIC DESIGN SHALL CONFORM TO MOST RECENT AASHTO "GREEN BOOK" METHODS.

TARGET SPEED (MPH)	SUPERELEVATION DISTRIBUTION	MAX GRADE
40	AASHTO METHOD 2 (4% MAX)	8%

General Notes

- LATEST EDITION OF THE MARYLAND STATE HIGHWAY ADMINISTRATION SPECIFICATIONS SHALL APPLY FOR MATERIALS AND METHODS OF CONSTRUCTION.
- PUBLIC UTILITY EASEMENTS (PUEs) ARE SUBJECT TO "DECLARATIONS OF TERMS AND PROVISIONS OF PUBLIC UTILITY EASEMENTS" RECORDED AS LIBER 3834, FOLIO 457 IN THE LAND RECORDS OF MONTGOMERY COUNTY.
- STANDARD ELEVATION AT PROPERTY LINE, RELATIVE TO PGL, SHALL NOT VARY AT DRIVEWAYS.
- PAVING DETAIL DEPICTS THE MINIMUM REQUIRED SECTION. IF SUFFICIENT SUBGRADE SUPPORT IS NOT ASSURED, AN ENGINEERED PAVING DESIGN USING SHA METHODOLOGY WILL BE REQUIRED.
- NOTE THAT WITHIN A GIVEN CONTEXT, THIS STANDARD MAY NEED TO BE MODIFIED TO PROVIDE ADDITIONAL REQUIRED FEATURES SUCH AS MASTER PLANNED BIKEWAYS, AUXILIARY LANES AT INTERSECTIONS, OR STORMWATER MANAGEMENT FACILITIES. ADDITIONAL RIGHT-OF-WAY MAY BE NECESSARY TO ACCOMMODATE SUCH FEATURES.
- SELECTION OF APPROPRIATE TARGET SPEED (EQUAL OR SLIGHTLY LESS THAN DESIGN SPEED) IS SUBJECT TO COUNTY REVIEW AND APPROVAL. APPROVED TARGET AND DESIGN SPEEDS MUST APPEAR ON CONSTRUCTION DRAWINGS.
- THE 2% CROSS-SLOPE RATE SHOWN IS TO BE USED FOR A MAXIMUM WIDTH OF TWO TRAFFIC LANES STARTING AT THE HIGH POINT OF THE PAVING SECTION. IF ADDITIONAL LANES ARE NECESSARY BELOW, THEY MUST BE CROSS-SLOPED AT A 4% MINIMUM RATE TO ENSURE ADEQUATE DRAINAGE.
- ALL UNPAVED AREAS WITHIN THE LIMITS OF DISTURBANCE SHALL BE STABILIZED WITH ESTABLISHED GRASS TURF OR APPROVED LANDSCAPING.
- STREET TREES OF APPROVED TYPE, SIZE AND SPACING SHALL BE PLANTED AT LOCATIONS SHOWN.

STANDARD DEVELOPED AND IMPLEMENTED IN CONFORMANCE WITH COUNCIL RESOLUTION 16-809 ADOPTED DEC. 9, 2008

DIRECTOR, DEPARTMENT OF TRANSPORTATION

CHIEF, DIVISION OF TRANSPORTATION ENGINEERING

25 Jun '12
 DATE

6/21/2012
 DATE

MONTGOMERY COUNTY
 DEPARTMENT OF TRANSPORTATION

SUBURBAN DIVIDED ARTERIAL ROAD
 4 LANES WITH BIKE LANES
 40 MPH ALTERNATE

STANDARD NO. MC-2004.10B