



MONTGOMERY COUNTY EXECUTIVE ORDER

Offices of the County Executive • 101 Monroe Street • Rockville, Maryland 20850

Subject Fire Lane Establishment Order for Thomas Pyle MS	Executive Order No. 128-18	Subject Suffix
Originating Department Montgomery County Department of Permitting Services	Department Number MCDPS 29-18	Effective Date 6/6/2018

Fire Lane Establishment Order

Pursuant to Section 22 - 33, Montgomery County Code, 1971, as amended, you are hereby notified that a Fire Lane has been established as described in this order. You are hereby ordered to post fire lane signs and paint curbs/pavement (painting optional) as identified below. When signs and paint work (painting optional) have been completed, this order will authorize the enforcement of this Fire Lane by appropriate police and fire officials. Compliance with this order must be achieved within 30 days of receipt.

LOCATION: 6311 Wilson La

All areas where indicated by signs and paint.

SIGNS - - (See attached diagram for location of sign placement)



\$250 FINE

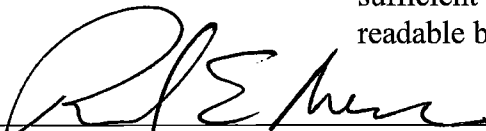
FIRE LANE

Signs must be posted so that it is not possible to park a vehicle without being in sight of a sign. Signs may be no further apart than 100 feet

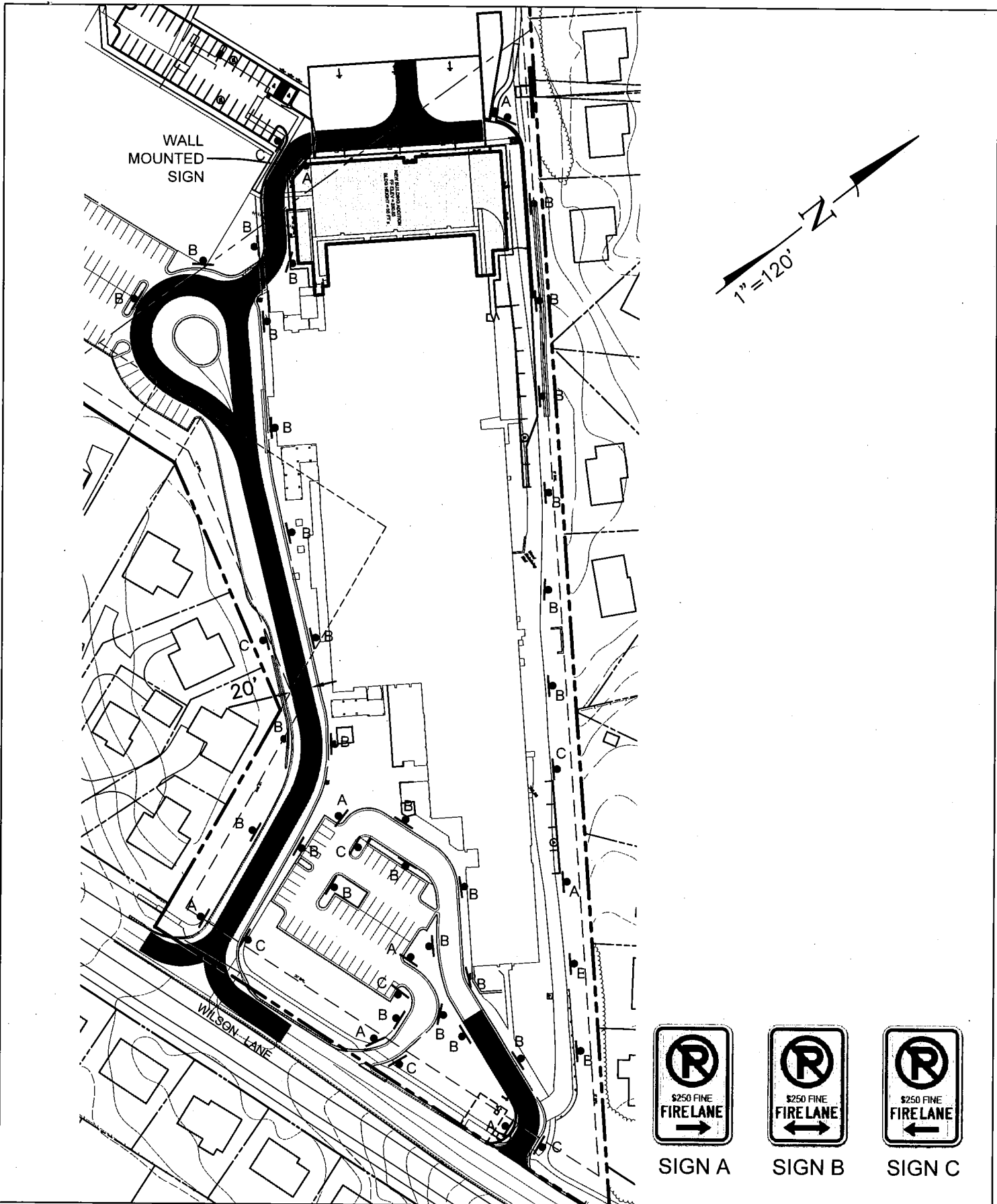
(Red letters on white background)

PAINT - - (See attached diagram if painting).

Paint must be traffic yellow with lines of sufficient width to be readily identifiable/readable by motor vehicle operators.



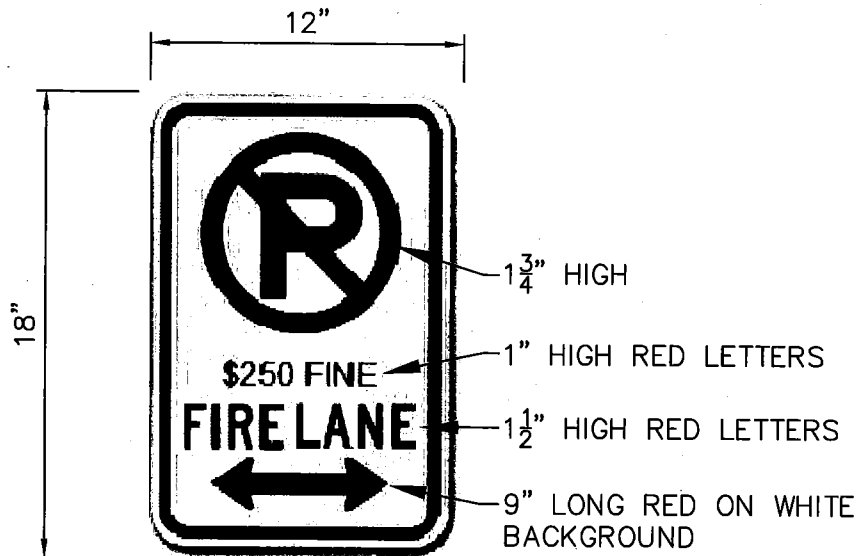
Fire Marshal, Montgomery County Department of Permitting Services



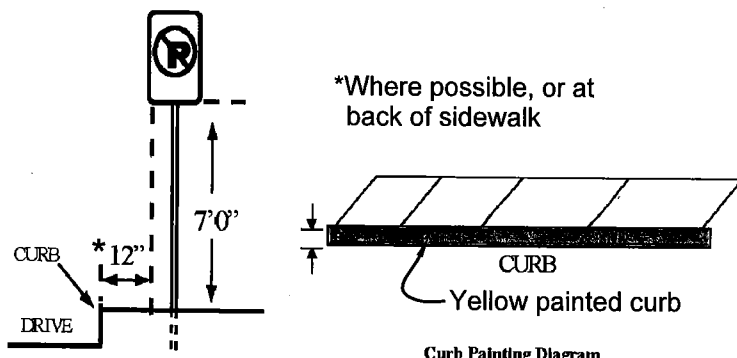
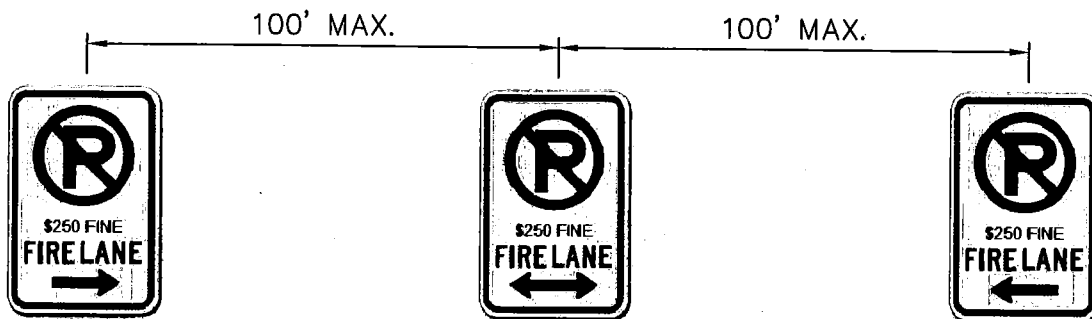
Civil Engineers
 Land Planners
 Landscape Architects
 Land Surveyors
 www.mhgpa.com

FIRE LANE SIGNAGE PLAN
THOMAS W. PYLE MIDDLE SCHOOL
 6311 WILSON LANE, BETHESDA, MD. 20817
 MONTGOMERY COUNTY PUBLIC SCHOOLS

SCALE 1" = 120'
 DATE 05.10.2018
 JOB NO. 16.187.11



EITHER TYPE MAY BE USED PROVIDED THE SAME TYPE IS USED CONSISTENTLY



Civil Engineers
Land Planners
Landscape Architects
Land Surveyors
www.mhgpa.com

FIRE LANE SIGNAGE DETAILS
THOMAS W. PYLE MIDDLE SCHOOL
6311 WILSON LANE, BETHESDA, MD. 20817
MONTGOMERY COUNTY PUBLIC SCHOOLS

SCALE NONE
DATE 05.10.2018
JOB NO. 16.187.11