



# MONTGOMERY COUNTY EXECUTIVE ORDER

Offices of the County Executive • 101 Monroe Street • Rockville, Maryland 20850

Subject Fire Lane Establishment Order for 1375 Piccard Drive	Executive Order No. 130-13	Subject Suffix
Originating Department Montgomery County Fire and Rescue Service	Department Number MCFRS 21-13	Effective Date 7/16/2013

### Fire Lane Establishment Order

Pursuant to Section 22 - 33, Montgomery County Code, 1971, as amended, you are hereby notified that a Fire Lane has been established as described in this order. You are hereby ordered to post fire lane signs and paint curbs/pavement (painting optional) as identified below. When signs and paint work (painting optional) have been completed, this order will authorize the enforcement of this Fire Lane by appropriate police and fire officials. Compliance with this order must be achieved within 30 days of receipt.

LOCATION: 1375 Piccard Dr.  
\_\_\_\_\_  
\_\_\_\_\_

All areas where indicated by signs and paint.

- SIGNS -- (See attached diagram for location of sign placement)



\$250 FINE

FIRE LANE

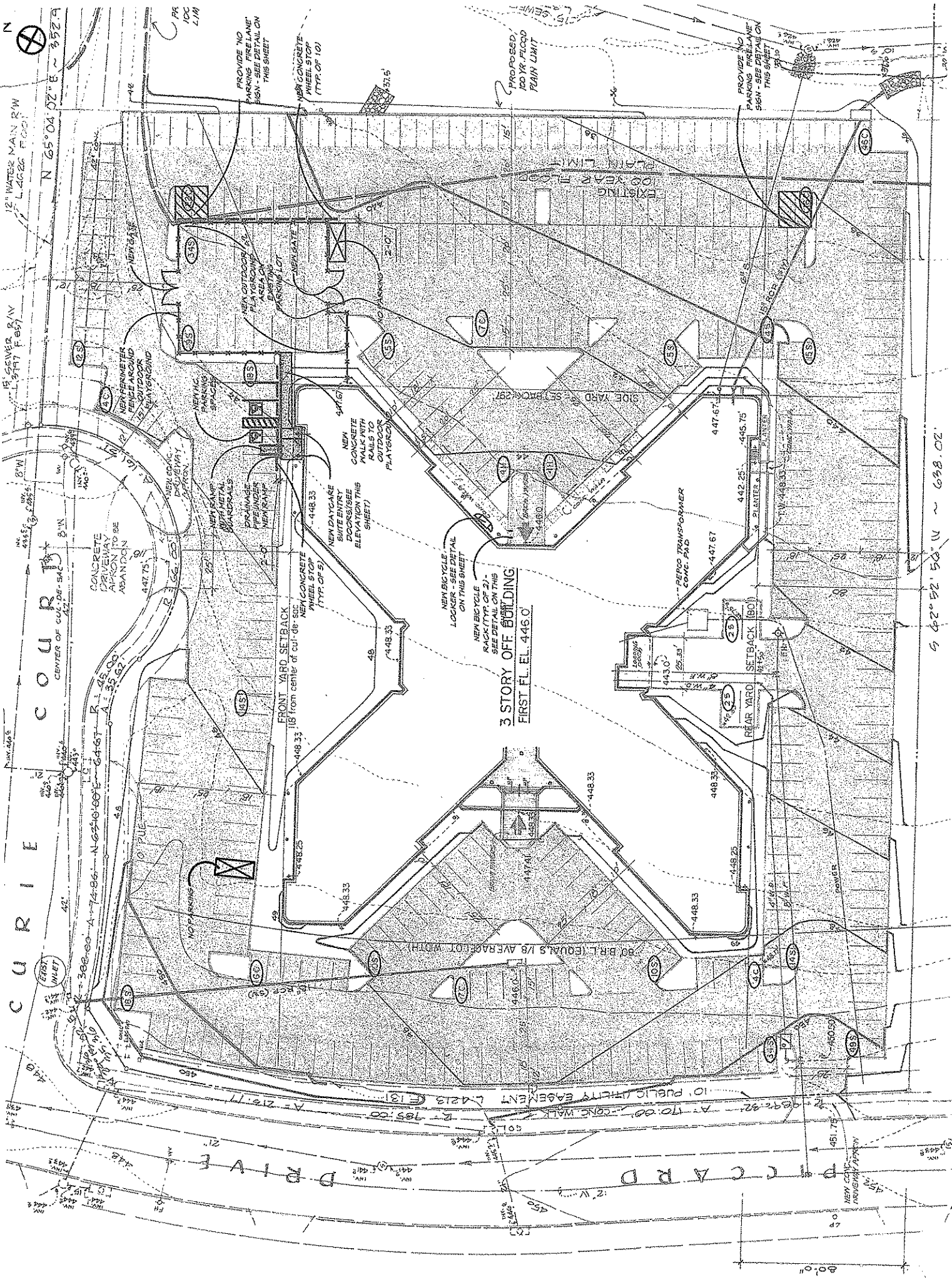
Signs must be posted so that it is not possible to park a vehicle without being in sight of a sign. Signs may be no further apart than 100 feet

(Red letters on white background)

- PAINT -- (See attached diagram if painting).

Paint must be traffic yellow with lines of sufficient width to be readily identifiable/readable by motor vehicle operators.

\_\_\_\_\_  
Fire Chief, Montgomery County Fire and Rescue Service



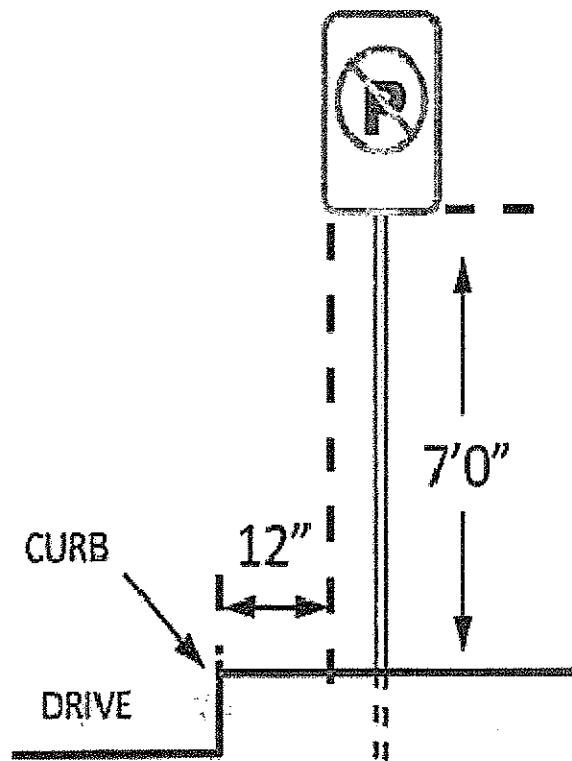
CURRIE COURTYARD  
 CENTER OF CUR-DE-VOIE 64-67  
 R=48.00  
 A=74.86  
 N 65° 10' 00" E  
 L=64.67  
 A=35.62  
 R=48.00  
 A=74.86  
 N 65° 10' 00" E  
 L=64.67  
 A=35.62

3 STORY OFFICE BUILDING  
 FIRST FL. EL. 446.0

S 42° 52' 58" W ~ 698.02

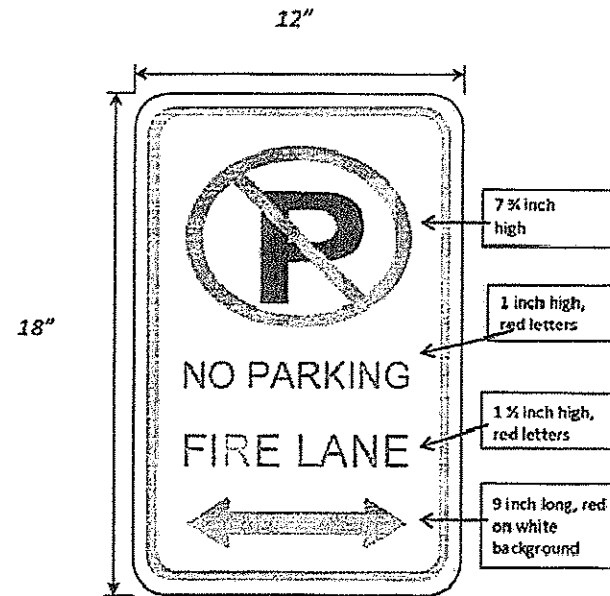
SITE PLAN

Scale: 1" = 30'



DETAIL @ NO PARKING SIGN & POST (TYP.)

Not to Scale



DETAIL @ NO PARKING SIGN (TYP.)

Not to Scale