



MONTGOMERY COUNTY EXECUTIVE ORDER

Offices of the County Executive • 101 Monroe Street • Rockville, Maryland 20850

Subject Fire Lane Establishment Order for Dowden's Station	Executive Order No. 186-17	Subject Suffix
Originating Department Montgomery County Department of Permitting Services	Department Number MCDPS 46-17	Effective Date 12/01/2017

Fire Lane Establishment Order

Pursuant to Section 22 - 33, Montgomery County Code, 1971, as amended, you are hereby notified that a Fire Lane has been established as described in this order. You are hereby ordered to post fire lane signs and paint curbs/pavement (painting optional) as identified below. When signs and paint work (painting optional) have been completed, this order will authorize the enforcement of this Fire Lane by appropriate police and fire officials. Compliance with this order must be achieved within 30 days of receipt.

LOCATION: Dowdens Station Way, Dowdens Ridge Dr., Townsend Trail
Deets Alley

All areas where indicated by signs and paint.

SIGNS - - (See attached diagram for location of sign placement)



\$250 FINE


FIRE LANE

Signs must be posted so that it is not possible to park a vehicle without being in sight of a sign. Signs may be no further apart than 100 feet

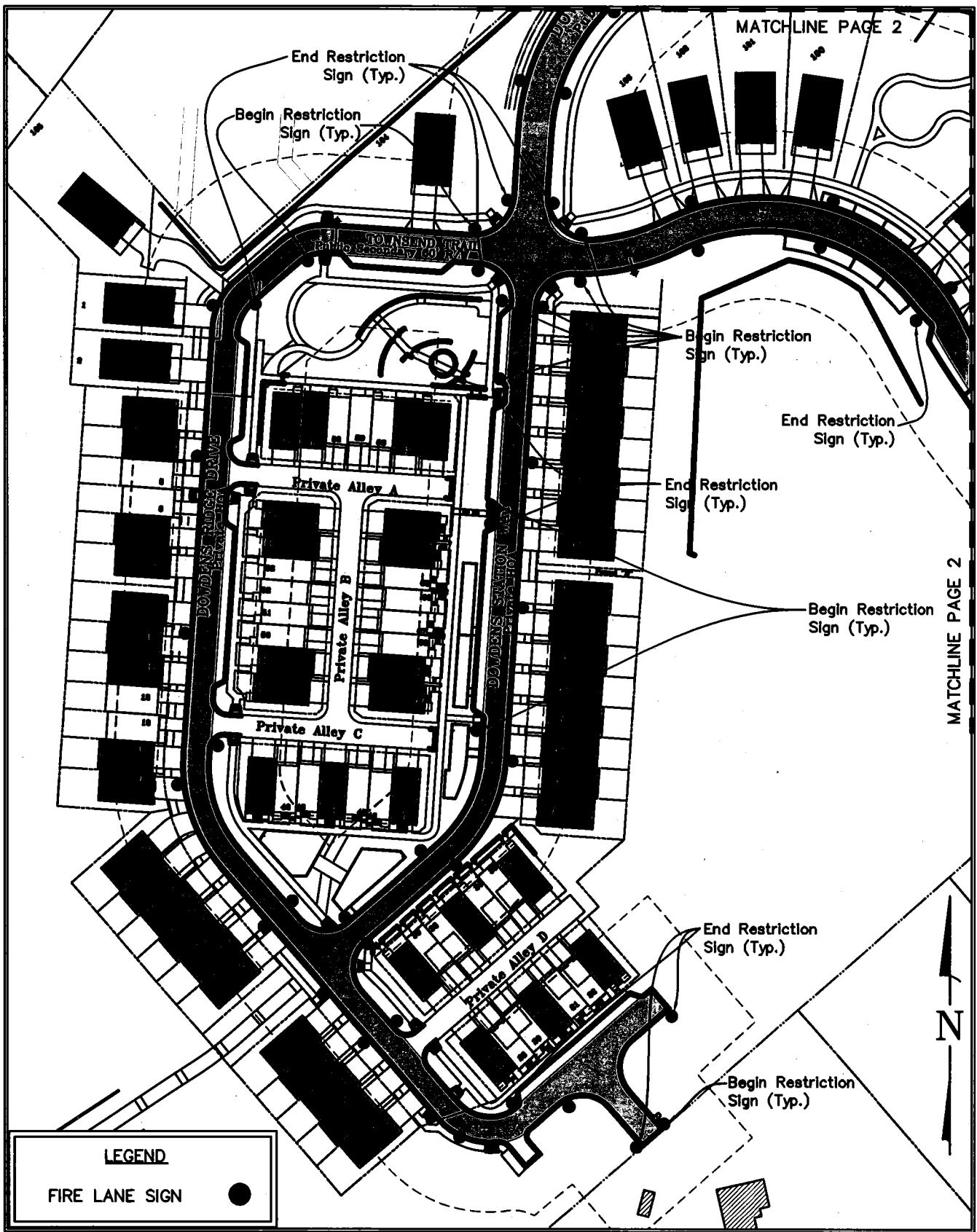
(Red letters on white background)

PAINT - - (See attached diagram if painting).

Paint must be traffic yellow with lines of sufficient width to be readily identifiable/readable by motor vehicle operators.



Fire Marshal, Montgomery County Department of Permitting Services



FIRE SIGNAGE PLAN

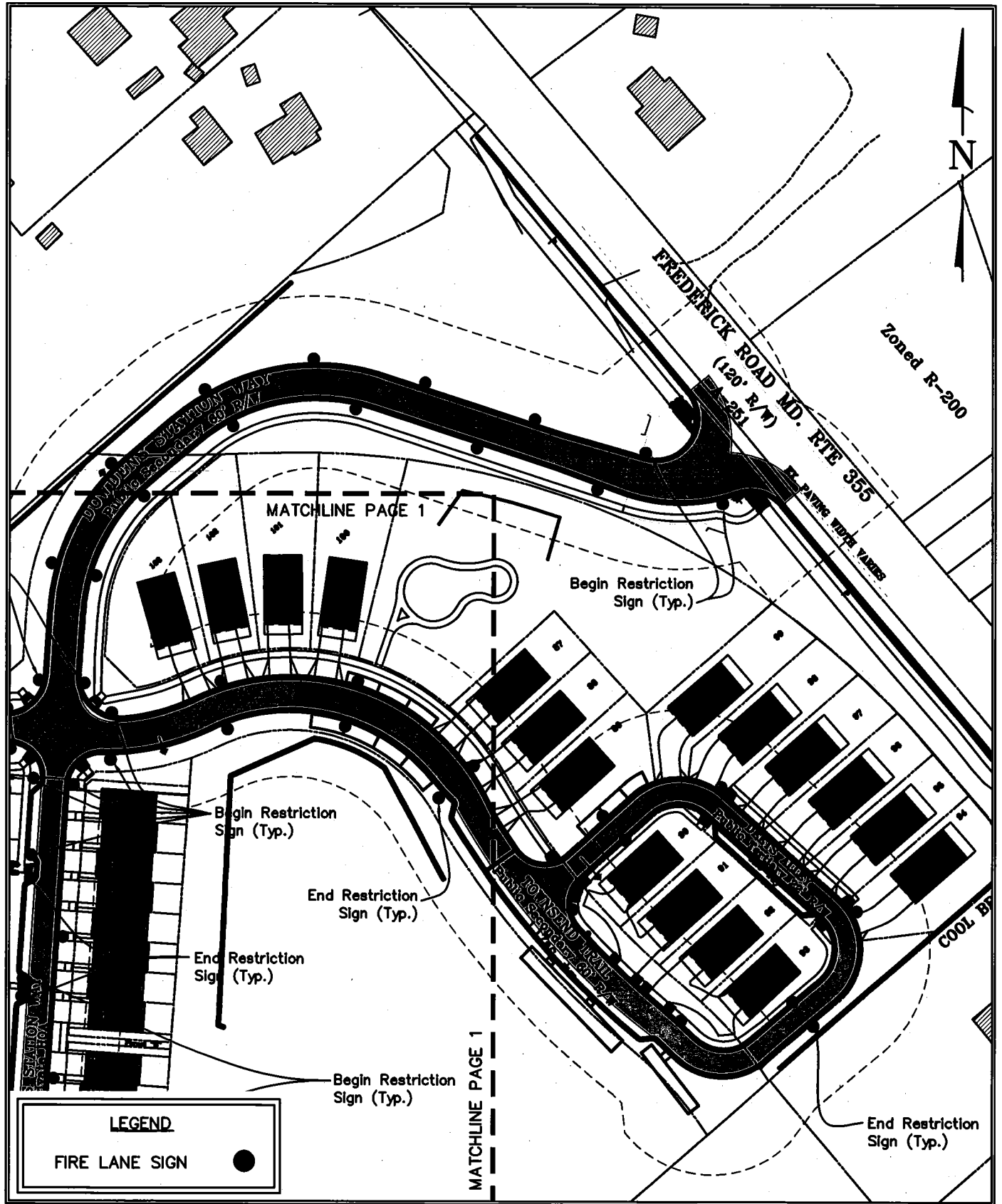
LEGEND

FIRE LANE SIGN ●

MHG

Civil Engineers
 Land Planners
 Landscape Architects
 Land Surveyors
 www.mhgpa.com

DOWDEN'S STATION ENLARGED
 LOT 22 & PART OF LOT 21
 SCALE: 1"=100' DATE 10/30/17
 MONTGOMERY COUNTY, MARYLAND
 PAGE 1
 JOB NO. 2012.185.12

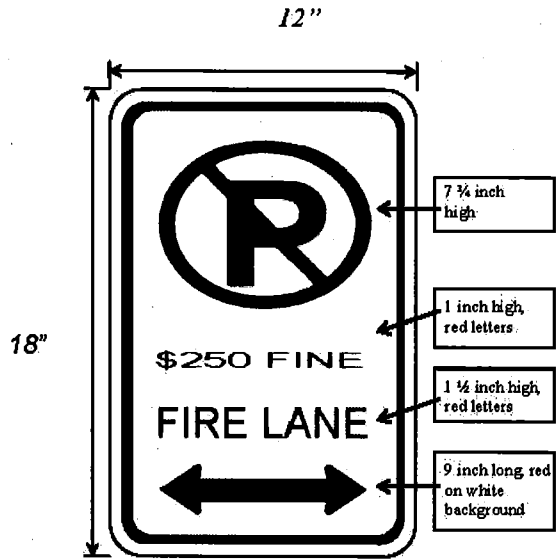


FIRE SIGNAGE PLAN



Civil Engineers
 Land Planners
 Landscape Architects
 Land Surveyors
 www.mhgpa.com

DOWDEN'S STATION ENLARGED
 LOT 22 & PART OF LOT 21
 SCALE: 1"=100' DATE 10/30/17
 MONTGOMERY COUNTY, MARYLAND
 PAGE 2
 JOB NO. 2012.185.12



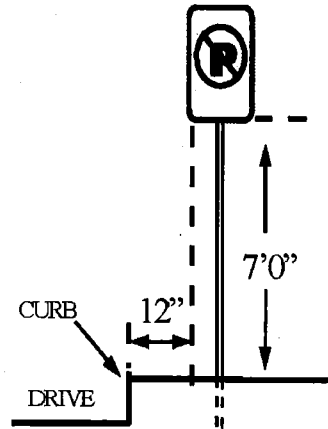
Either type may be used provided the same type is used consistently.



←100 ft.→



←100 ft.→



FIRE SIGNAGE DETAILS



Civil Engineers
 Land Planners
 Landscape Architects
 Land Surveyors
 www.mhgpa.com

DOWDEN'S STATION ENLARGED
 LOT 22 & PART OF LOT 21
 SCALE: NTS DATE 10/30/17
 MONTGOMERY COUNTY, MARYLAND
 PAGE 3
 JOB NO. 2012.185.12