



MONTGOMERY COUNTY EXECUTIVE ORDER

Offices of the County Executive • 101 Monroe Street • Rockville, Maryland 20850

Subject Fire Lane Establishment Order Darcars Toyota	Executive Order No. 208-19	Subject Suffix
Originating Department Montgomery County Department of Permitting Services	Department Number MCDPS 28-19	Effective Date 12/11/2019

Fire Lane Establishment Order

Pursuant to Section 22 - 33, Montgomery County Code, 1971, as amended, you are hereby notified that a Fire Lane has been established as described in this order. You are hereby ordered to post fire lane signs and paint curbs/pavement (painting optional) as identified below. When signs and paint work (painting optional) have been completed, this order will authorize the enforcement of this Fire Lane by appropriate police and fire officials. Compliance with this order must be achieved within 30 days of receipt:

LOCATION: 12210 Cherry Hill Rd.

All areas where indicated by signs and paint.

SIGNS -- (See attached diagram for location of sign placement)



\$250 FINE


FIRE LANE

Signs must be posted so that it is not possible to park a vehicle without being in sight of a sign. Signs may be no further apart than 100 feet

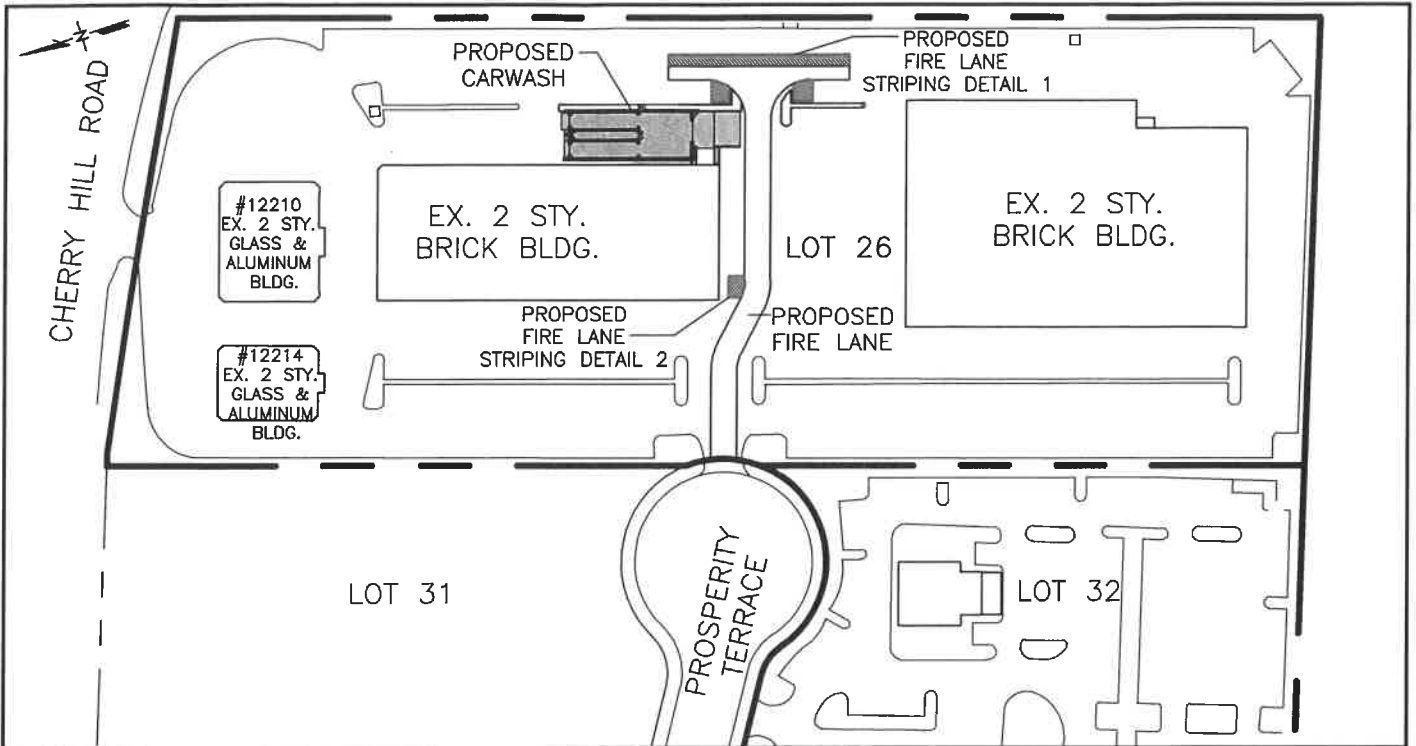
(Red letters on white background)

PAINT -- (See attached diagram if painting).

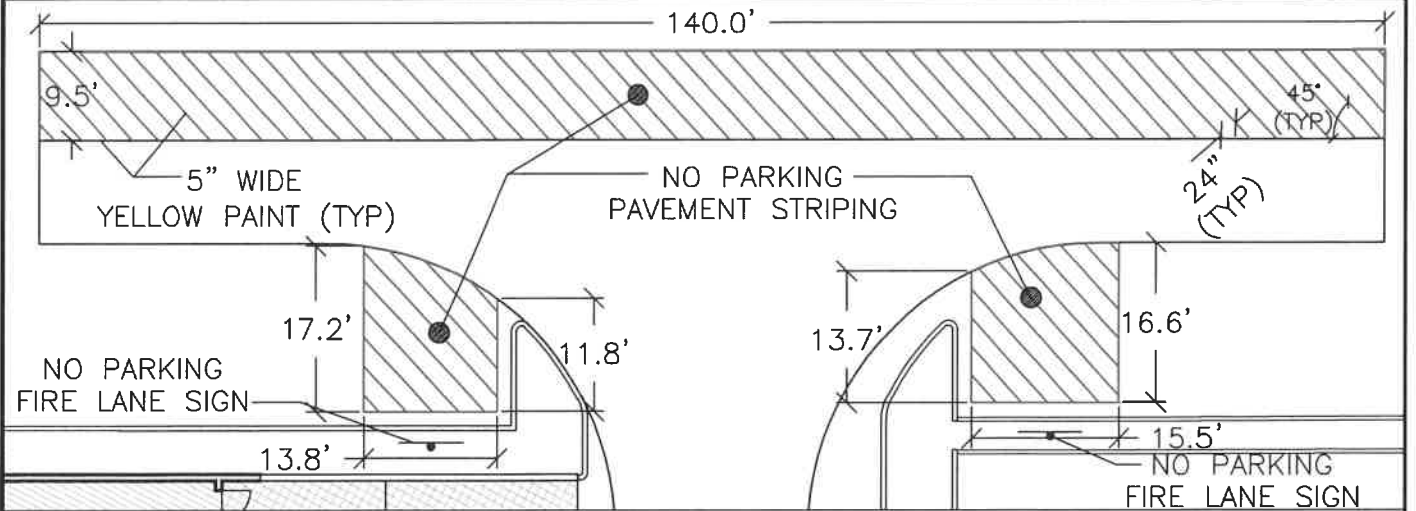
Paint must be traffic yellow with lines of sufficient width to be readily identifiable/readable by motor vehicle operators.



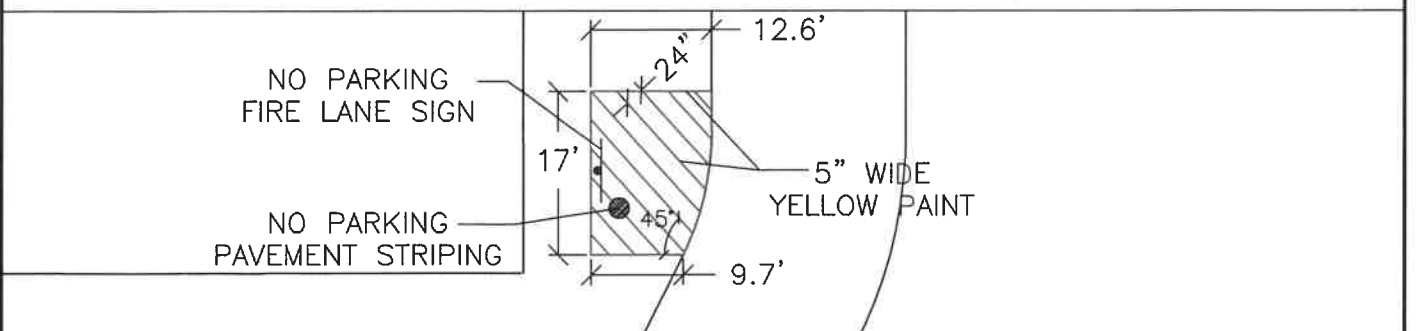
Fire Marshal, Montgomery County Department of Permitting Services



VICINITY MAP (SCALE: 1" = 150')



FIRE LANE PAINT STRIPING DETAIL 1 (SCALE: 1" = 20')



FIRE LANE PAINT STRIPING DETAIL 2 (SCALE: 1" = 20')

DARCARS TOYOTA
 FIRE ACCESS DETAIL SHEET
 12210 CHERRY HILL ROAD
 SILVER SPRING, MD. 20904
 DECEMBER 3, 2019



LANDMARK ENGINEERING, INC.

6110 EXECUTIVE BOULEVARD, SUITE 110 PHONE: (301) 230-5881
 ROCKVILLE, MARYLAND 20852 FAX: (301) 230-5884

CONSULTING ENGINEERS PLANNERS SURVEYORS