



MONTGOMERY COUNTY EXECUTIVE ORDER

Offices of the County Executive • 101 Monroe Street • Rockville, Maryland 20850

Subject Fire Lane Establishment Order for Pleasant Grove Community Church	Executive Order No. 67-19	Subject Suffix
Originating Department Montgomery County Department of Permitting Services	Department Number MCDPS 7-19	Effective Date 3/25/2019

Fire Lane Establishment Order

Pursuant to Section 22 - 33, Montgomery County Code, 1971, as amended, you are hereby notified that a Fire Lane has been established as described in this order. You are hereby ordered to post fire lane signs and paint curbs/pavement (painting optional) as identified below. When signs and paint work (painting optional) have been completed, this order will authorize the enforcement of this Fire Lane by appropriate police and fire officials. Compliance with this order must be achieved within 30 days of receipt.

LOCATION: 11307 Mountain View Rd

All areas where indicated by signs and paint.

SIGNS - - (See attached diagram for location of sign placement)



\$250 FINE

FIRE LANE

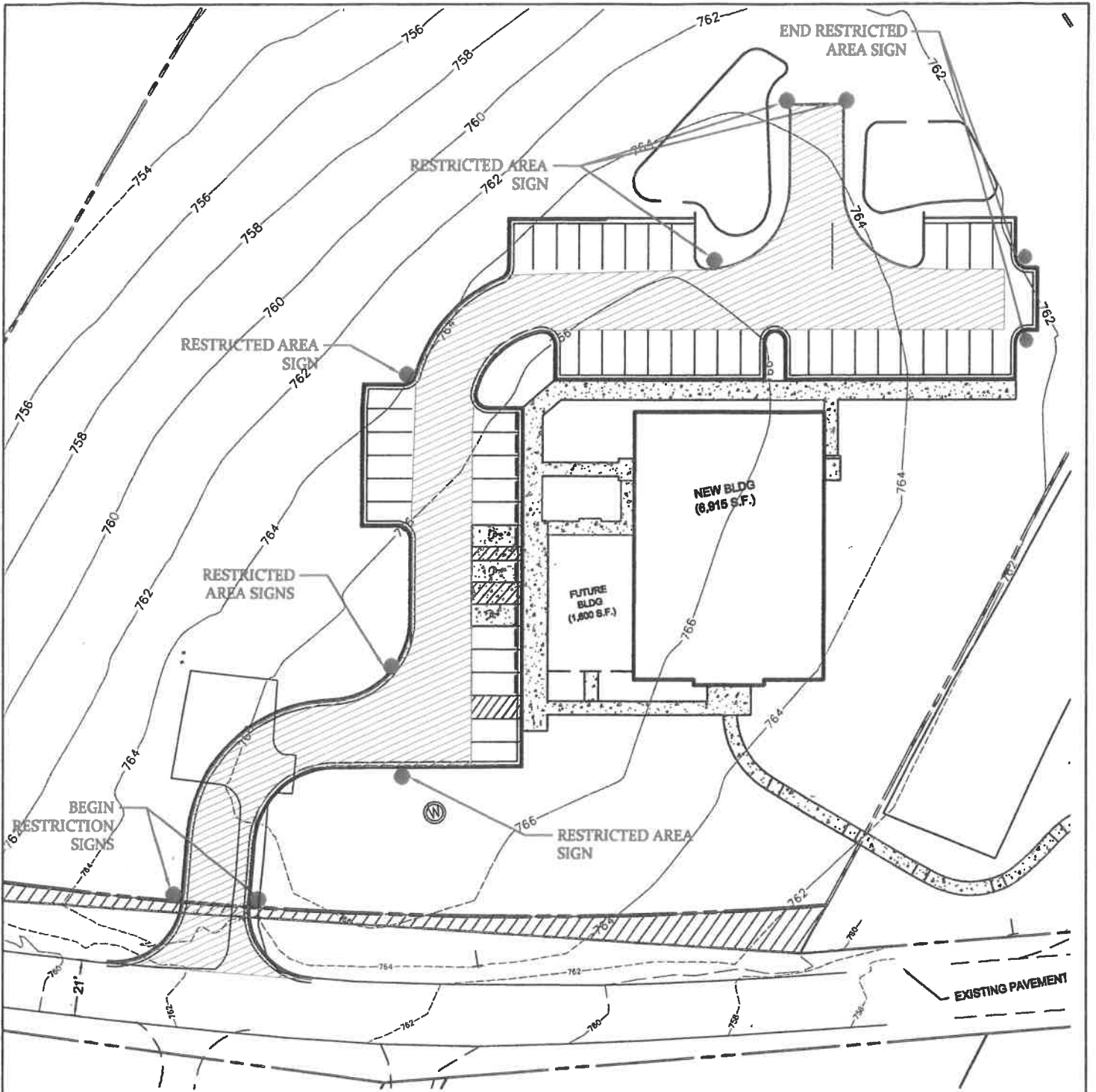
Signs must be posted so that it is not possible to park a vehicle without being in sight of a sign. Signs may be no further apart than 100 feet

(Red letters on white background)

PAINT - - (See attached diagram if painting).

Paint must be traffic yellow with lines of sufficient width to be readily identifiable/readable by motor vehicle operators.

Fire Marshal, Montgomery County Department of Permitting Services



GRAPHIC SCALE



(IN FEET)
1 inch = 50 ft.

LEGEND

● FIRE LANE SIGN

TAX MAP F7182 W880 2200711

FIRE SIGNAGE DETAILS
EXISTING PARCEL 88
PLEASANT GROVE CHURCH
L.13917, F.221
12TH ELECTION DISTRICT - MONTGOMERY COUNTY - MARYLAND

MHG Macris, Hendricks & Glascock, P.A. Engineers - Planners Landscape Architects - Surveyors	Proj. Mgr. LEW	Designer CSH
	Date 3-5-19	Scale N.T.S.
9220 Wightman Road, Suite 120 Montgomery Village, Maryland 20896-1279	Phone 301.670.0840 Fax 301.945.0263 www.mhgs.com	Project No. 67.505

Sheet 1 of 2

The diagrams below indicate the types of signs that may be used and the placement of these signs with the appropriate arrows.

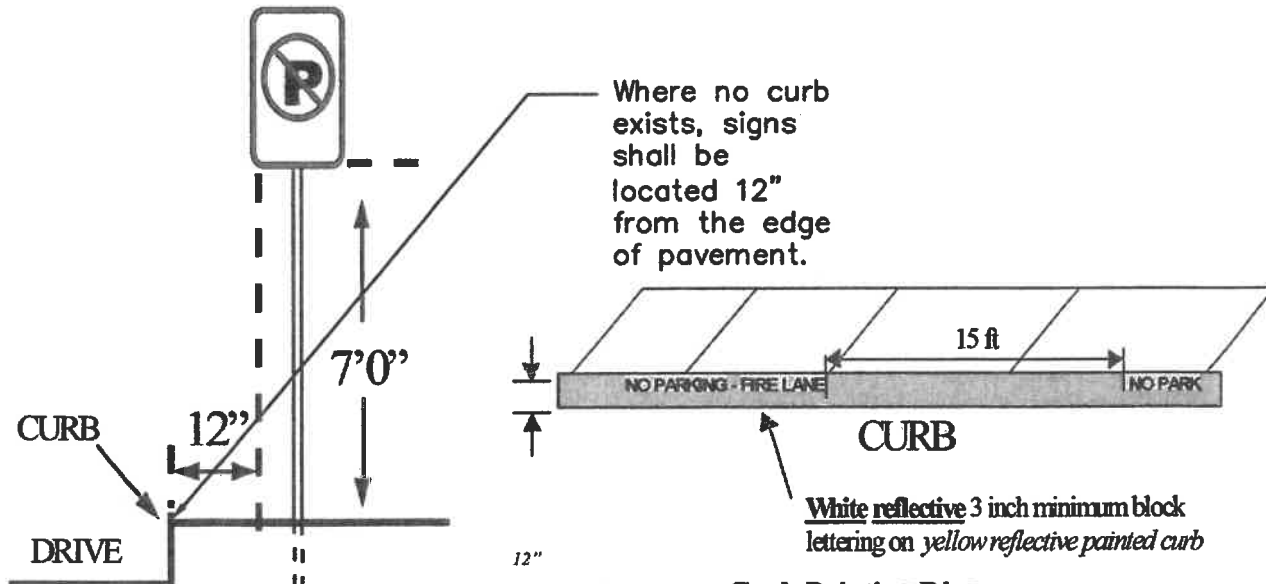


Either type may be used provided the same type is used consistently.



←100 ft.→

←100 ft.→



Curb Painting Diagram



TAX MAP 73122

WB26 2206W11

FIRE SIGNAGE DETAILS
 EXISTING PARCEL 88
PLEASANT GROVE CHURCH
 L.13917, F.221
 12TH ELECTION DISTRICT - MONTGOMERY COUNTY - MARYLAND



Macris, Hendricks & Glascock, P.A.
 Engineers • Planners
 Landscape Architects • Surveyors

2220 Wightman Road, Suite 120
 Montgomery Village, Maryland
 20886-1270

Phone 301.670.0840
 Fax 301.848.0893
 www.mhgp.com

Proj. Mgr. LEW	Designer GSH
Date 3-5-19	Scale N.T.S.
Project No. 97.305	Sheet 2 of 2