

MAINTENANCE

5-11.2 Lubrication Chart

Table 5-9: Lubrication Specifications

ITEM #	QTY	ITEM TO CHECK/SERVICE	TYPE OF LUBRICANT
1	1	WATER SWIVEL (Do not over-grease)	PIERCE MANUFACTURING CARTRIDGE #1003040 or SYNCO SUPER LUBE #41150 -or- PIERCE MANUFACTURING 5 lb TUB #1003044 or SYNCO SUPER LUBE #41050 -or- PIERCE MANUFACTURING 30 lb PAIL #1003046 or SYNCO SUPER LUBE #41030
2	10	WATERWAY BEARINGS	
3	—	LADDER SECTION SLIDING SURFACES Brush on outside and bottom of fly and mid base rails, inside base and mid (where guide pads rub)	
4	2	FIFTH WHEEL PIVOT PIN	PIERCE MANUFACTURING CARTRIDGE PN #95-0903 - or - EXXON NLG1 No. 2 GRADE GREASE WITH MOLY - or - EQUIVALENT HEAVY-DUTY No. 2 GRADE GREASE WITH MOLY
5	1	FIFTH WHEEL BEARING (Additional information on the lubrication of this item can be found in "3,000-Mile/Semi-Annual Lubrication" on page 5-9.)	
6	2	MONITOR	
7	8	FIFTH WHEEL LOCKOUT CYLINDER PINS	
8	1	TURNTABLE ROTATION BEARING - Pump grease into the bearing while the bearing is being rotated. Greasing is considered complete when the grease overflows from the seal, forming a light film which also serves as a seal.	
9	1	ROTATION BEARING TEETH (Brush on)	
10	4	STABILIZER PAD SWIVEL JOINTS	
11	2	STABILIZER BEAMS - Brush on bottom surface of stabilizer beams and inside (top surface) of torque box stabilizer housings.	
12	Multiple	SHEAVE PINS	
13	—	WATERWAY TUBES (Wipe on waterway tubes)	
14	1	HYDRAULIC SYSTEM RESERVIOR	
15	2	ROTATION GEAR BOX (on turntable) (See Figures 5-5 and 5-6 for specific instructions.)	API-GL5 80W90
16	—	WIRE ROPE CABLES Spray on & penetrate wire rope cables	LUBRIPLATE CHAIN AND CABLE FLUID (OR EQUIVALENT)

Shop

POM0787

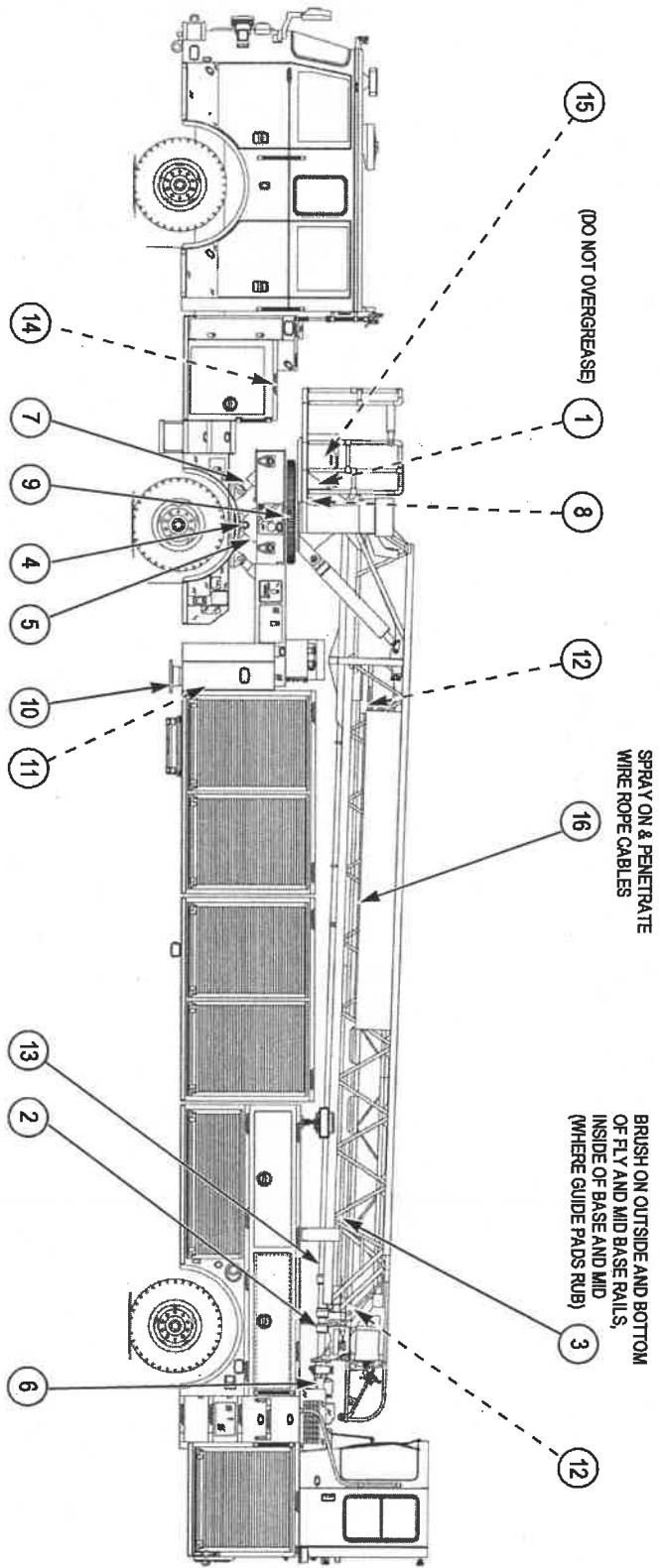


Figure 5-4: Lubrication Points